
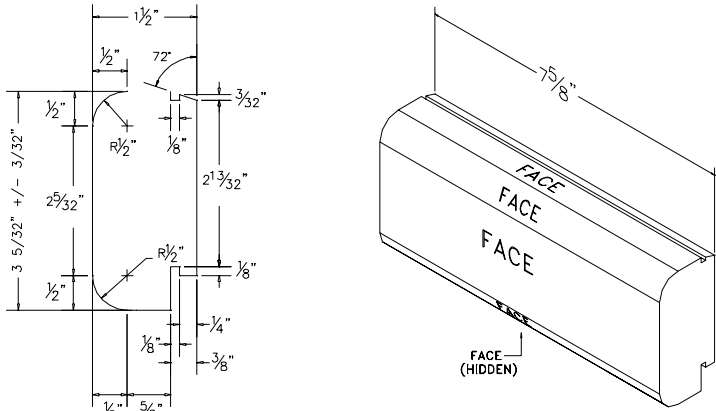


<b>Project:</b> <b>Customer:</b> <b>Tru-Brix Order Number:</b> <b>Plant:</b> CUSHWA <b>Color:</b> <b>Size:</b> Oversize <b>Date:</b> 11/4/09 <b>By:</b> D. ARTZ II <b>Page:</b> <b>Drawing Name:</b> WATERTABLE 8 <b>Reference:</b>				
				
<p>H:\ARTZ II\Tru-Brix\Standard Shapes\Watertable 8.dwg</p> <table border="1" style="width: 100%; border-collapse: collapse;"> <tr> <td style="width: 60%; font-size: 8px;">BELLOW LINE FOR REGANO'S USE ONLY</td> <td style="width: 20%; font-size: 8px;">AUTHORIZED FOR PRODUCTION BY:</td> <td style="width: 20%; font-size: 8px;">DATE:</td> </tr> </table>		BELLOW LINE FOR REGANO'S USE ONLY	AUTHORIZED FOR PRODUCTION BY:	DATE:
BELLOW LINE FOR REGANO'S USE ONLY	AUTHORIZED FOR PRODUCTION BY:	DATE:		