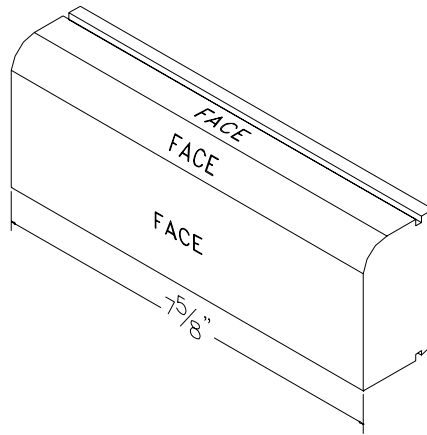
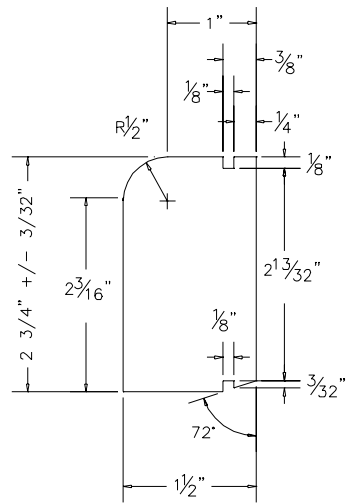


Project:  
 Customer:  
 Tru-Brix Order Number:  
 Plant: CUSHWA Color: Size: Oversize  
 Date: 11/4/09 By: D. ARTZ II Page:  
 Drawing Name: WATERTABLE 6 Reference:

**Tru-Brix**<sup>®</sup>  
 Real Brick Siding



H:\ARTZ II\Tru-Brix\Standard Shapes\WaterTable 6.dwg

BELOW LINE FOR REDLAND'S USE ONLY!

AUTHORIZED FOR PRODUCTION BY:

DATE: